

PRESENTATION

DOORS TECHNICAL  
INFORMATION



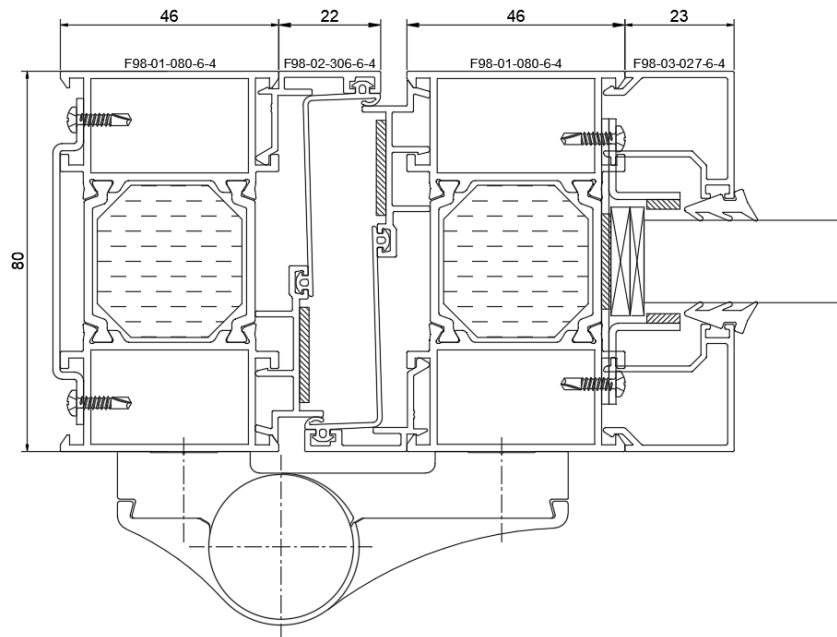
MORE INFO:  
[alufire.com](https://alufire.com)

**ALUFIRE<sup>®</sup>**  
FIRE-RESISTANT  
ALUMINIUM  
JOINERY  
SYSTEMS

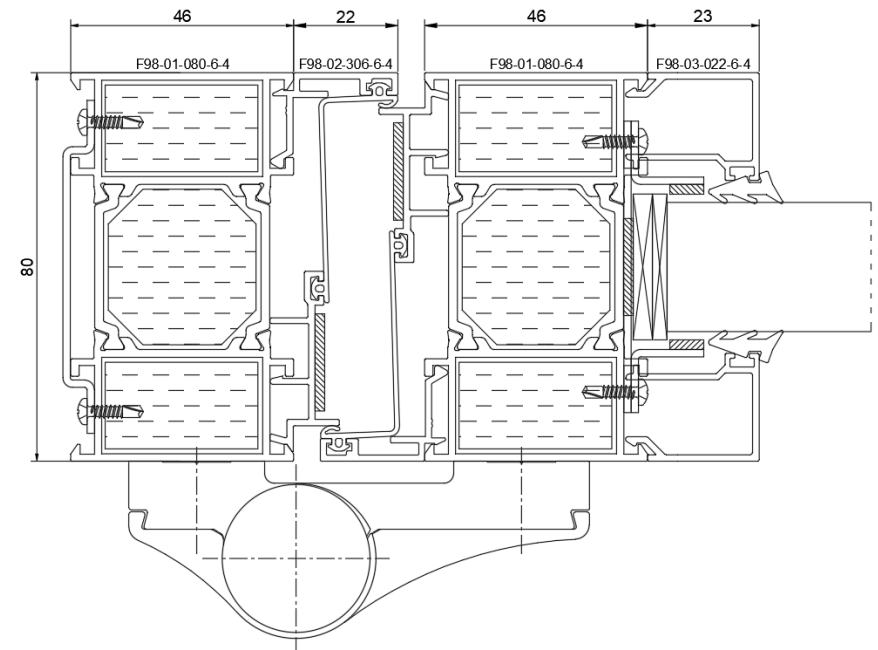
# PROFILE COMPARISON

ALUFIRE CLASSIC  
DOORS

## DOORS: EI15-EI30



## DOORS: EI45-EI60

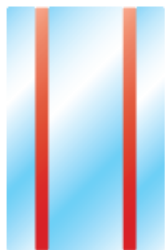


# EQUIPMENT

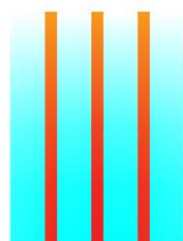
ALUFIRE CLASSIC  
DOORS

## DOORS: EI15-EI30

PYROBEL 16



PYROSTOP 30-10

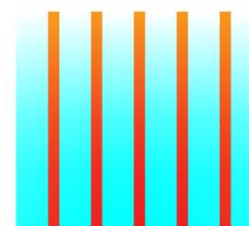


## DOORS: EI45-EI60

PYROBEL 25



PYROSTOP 60-101



# HARDWARE SOLUTIONS

ALUFIRE CLASSIC  
DOORS

## LOCKS

Standard mortise lock – 1 point

---



Standard mortise lock – 3 point

---



Panic mortise lock – 1 point

---



Electric lock

---



# HARDWARE SOLUTIONS

ALUFIRE CLASSIC  
DOORS

## FITTINGS

Handle set – Stainless steel



Knob – Stainless steel



Pull bar set – Stainless steel



Panic bar – Stainless steel



Panic bar – Silver anodized



Panic bar – Silver & black



# HARDWARE SOLUTIONS

ALUFIRE CLASSIC  
DOORS

## HINGES

Three-wing hinges

---



Rollenband hinges

---



## ELECTRIC STRIKE

Normally close (NC)

---



Normally open (NO)

---



# TECHNICAL PROPERTIES

ALUFIRE CLASSIC  
DOORS

Mechanical strength class 4



Noise insulation up to  $R_w$  42 dB



Security doors – Class RC2



Mechanical durability class C5



Smoke protection



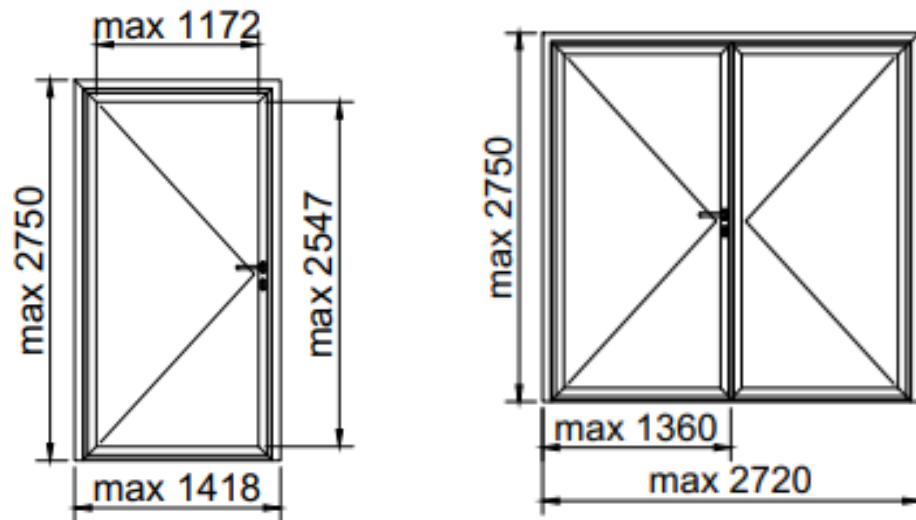
Optional corrosion resistance coating – Class C4



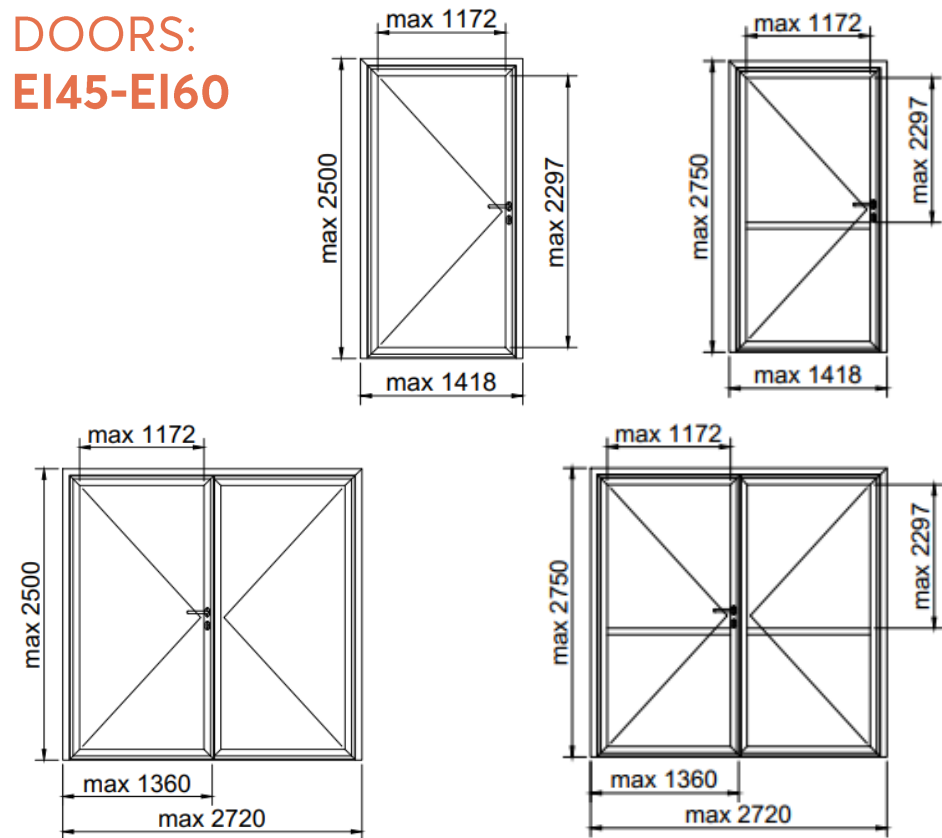
# GLAZED DOOR DIMENSIONS

ALUFIRE CLASSIC  
DOORS

## DOORS: EI15-EI30



## DOORS: EI45-EI60

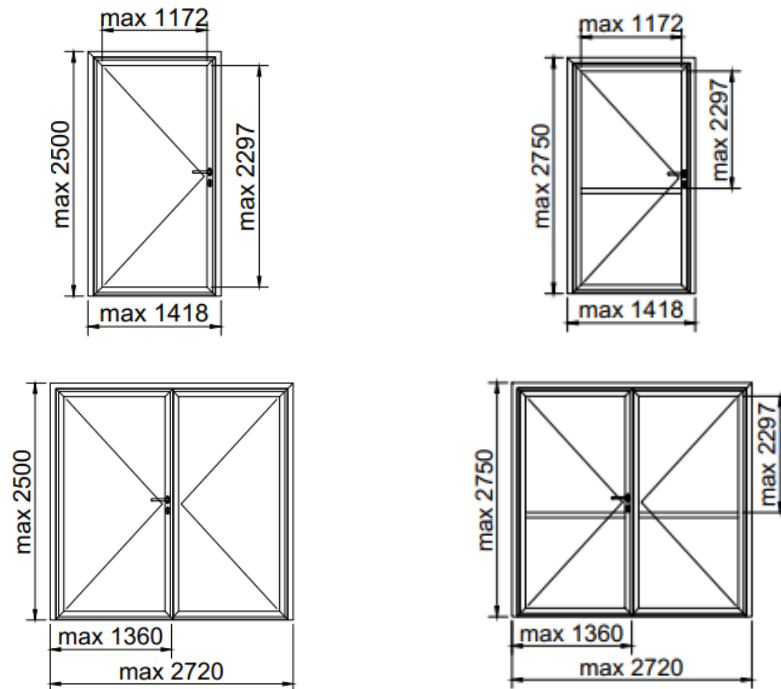




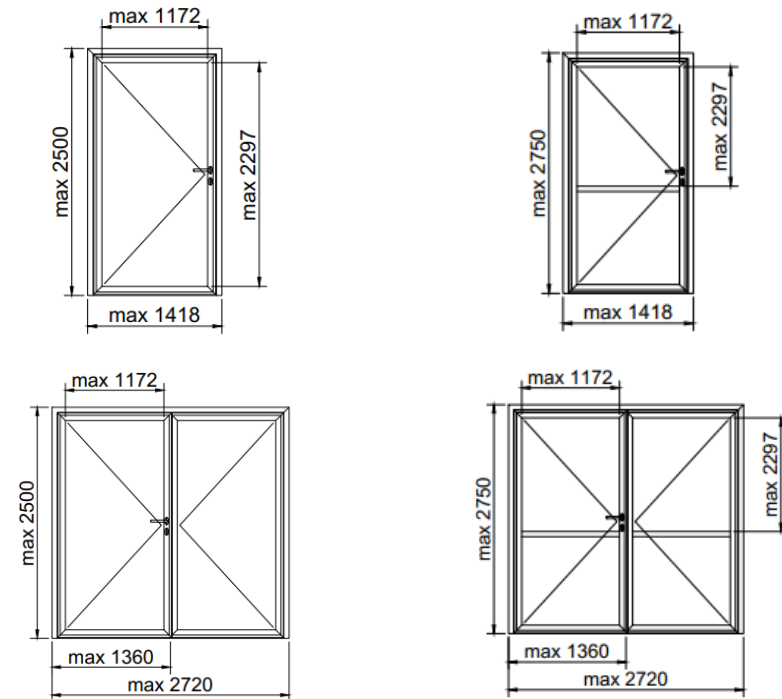
# ALUMINIUM PANELED DOOR DIMENSIONS

ALUFIRE CLASSIC  
DOORS

## DOORS: EI15-EI30



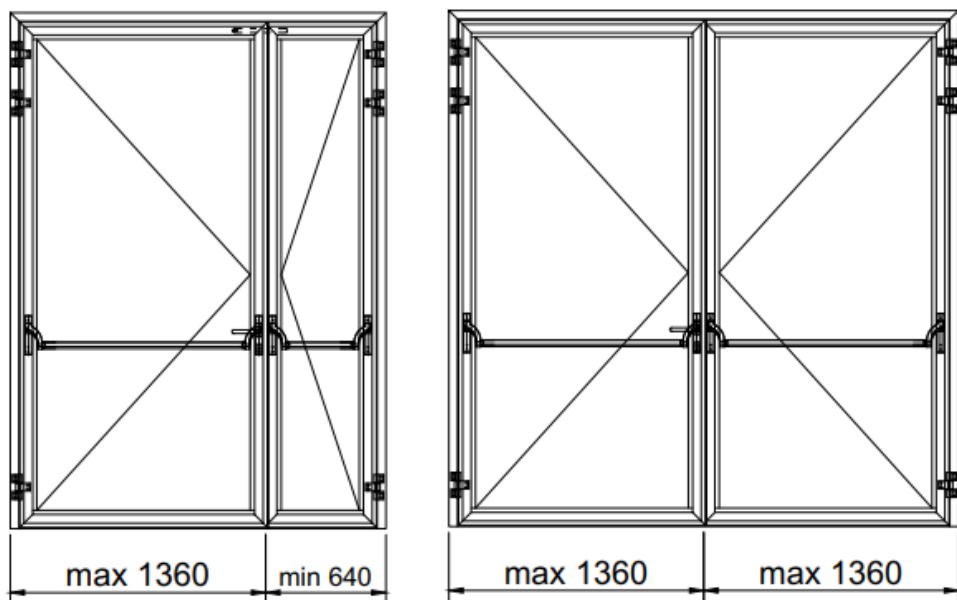
## DOORS: EI45-EI60



# LEAVES DIVISION – PANIC FITTINGS

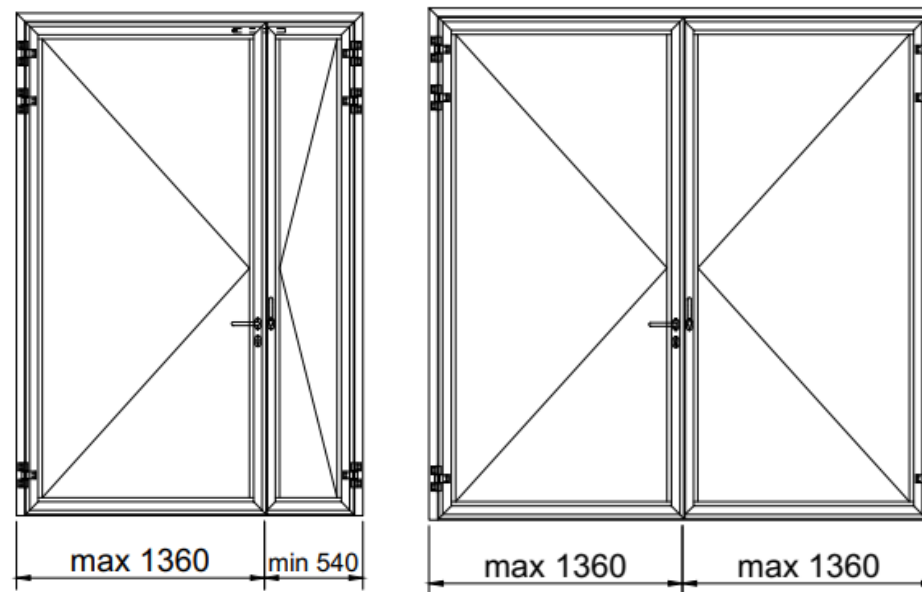
ALUFIRE CLASSIC  
DOORS

## PN-EN 1125:2009: PANIC-BAR FOR BOTH LEAVES

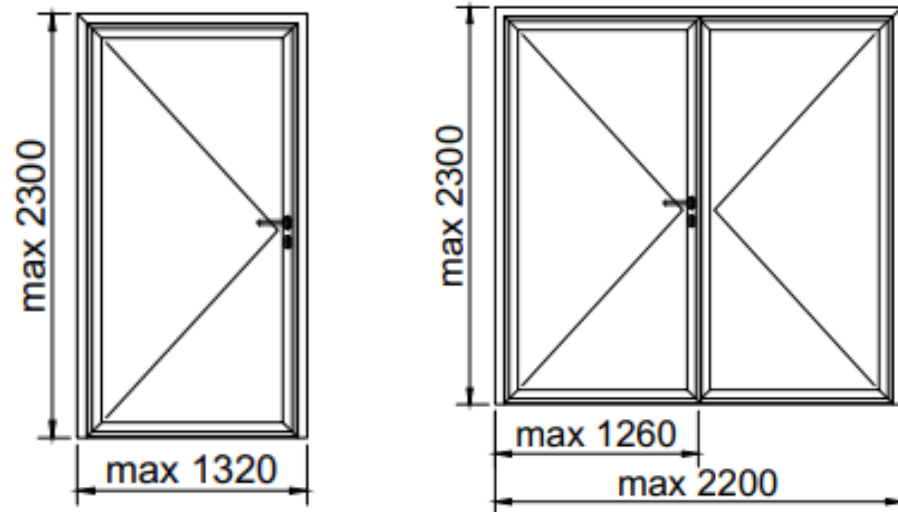
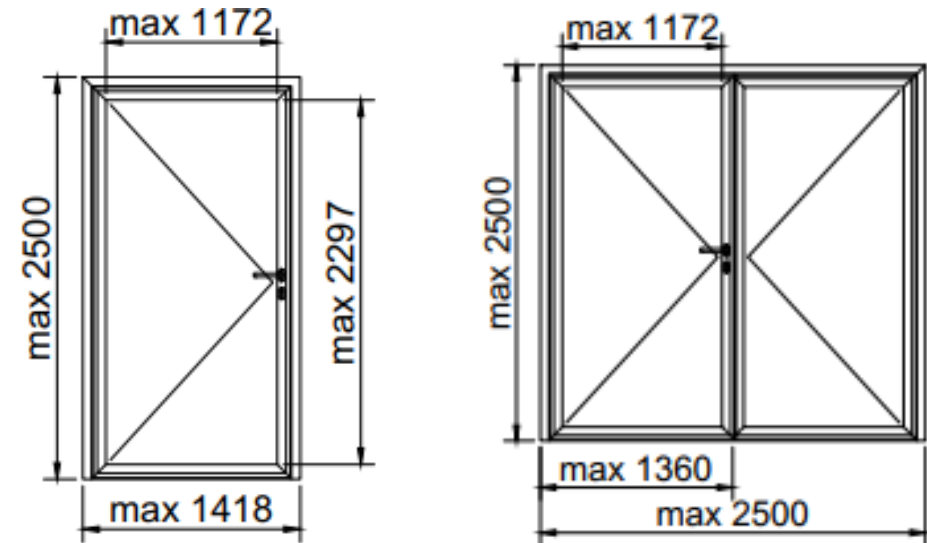


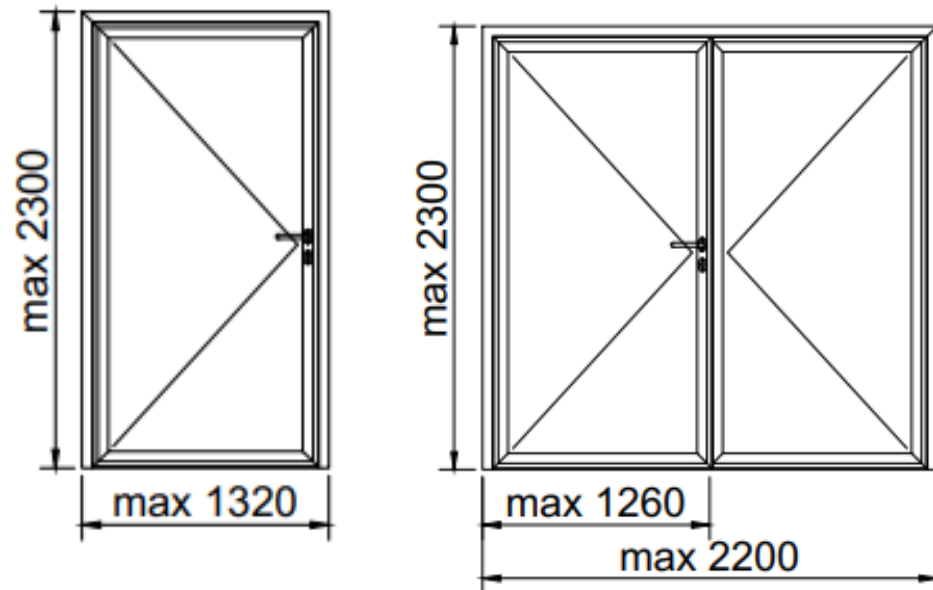
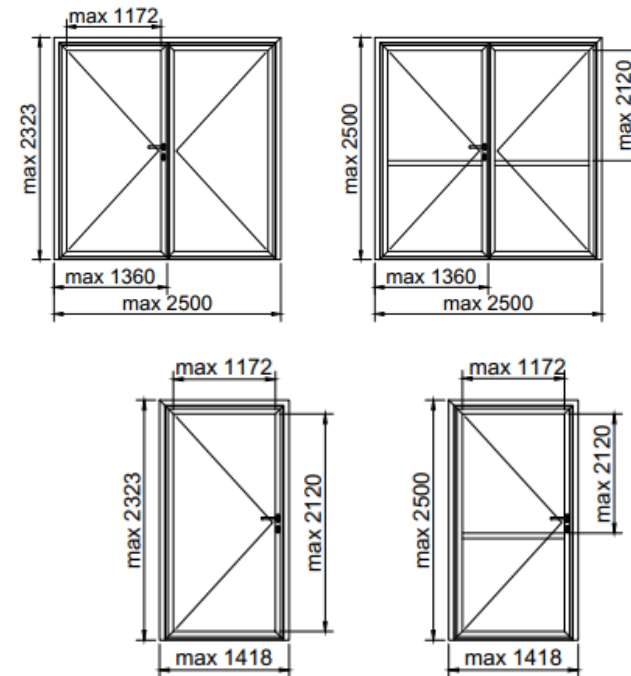
\* the width of the active leaf below 1060 mm, requires individual consultation

## PN-EN 179:2009: HANDLE FOR BOTH LEAVES



\* the width of the active leaf below 1060 mm, requires individual consultation

DOOR DIMENSIONS W/ SMOKE PROTECTION – EI S<sub>a</sub>S<sub>200</sub>ALUFIRE CLASSIC  
DOORSDOORS:  
1-POINT LOCKDOORS:  
3-POINT LOCK

DOOR DIMENSIONS W/ SMOKE PROTECTION –  $S_a S_{200}$ ALUFIRE CLASSIC  
DOORSDOORS:  
1-POINT LOCKDOORS:  
3-POINT LOCK

# DOOR CLOSER COMPARISON

ALUFIRE CLASSIC DOORS

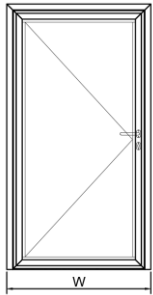


|  | DORMA GROOM GR200 /<br>GEZE TS 2000   | DORMA TS83 /<br>GEZE TS 4000 | GEZE BOXER /<br>GEZE BOXER E  | DORMA TS93 (GSR) /<br>GEZE TS 5000 (ISM)**  | DORMA TS93 EMF (GSR EMF) /<br>GEZE TS 5000 E (E ISM)**  | DORMA TS93 +TS91 GSR* /<br>GEZE TS 5000+TS 3000 ISM**   | DORMA TS93 +TS91 GSR EMF* /<br>GEZE TS 5000+TS 3000 E ISM**   | DORMA TS93/TS91 (EMF) /<br>GEZE TS 5000/TS 3000 (E)  |
|--|---|------------------------------|---|---|---|---|---|--|
|  | <ul style="list-style-type: none"> <li>• drzwi EI30, dymoszczelne i okna,</li> <li>• waga max 130 kg</li> </ul> |                              | <ul style="list-style-type: none"> <li>• waga max 130 kg</li> </ul> | <ul style="list-style-type: none"> <li>• minimalna szerokość drzwi dwuskrzydłowych - 1400 mm</li> </ul> | <ul style="list-style-type: none"> <li>• minimalna szerokość drzwi dwuskrzydłowych - 1400 mm</li> </ul> | <ul style="list-style-type: none"> <li>• minimalna szerokość drzwi dwuskrzydłowych - 1400 mm</li> </ul> | <ul style="list-style-type: none"> <li>• minimalna szerokość drzwi dwuskrzydłowych - 1400 mm</li> </ul> | <ul style="list-style-type: none"> <li>• dwa okna 1-skrzydłowe na wspólnym słupku</li> </ul> |
| Drzwi 1-skrzydłowe   |   |                              |   |   |   |   |   | <br>   |
| Drzwi 2-skrzydłowe -<br>RKZ szynowym   |   |                              |   |   |   |   |   |  |
| Drzwi 2-skrzydłowe -<br>RKZ dźwigniowy   |   |                              |   |   |   |   |   |  |
| <p>Uwaga: podane wymiary są właściwe dla samozamykaczy montowanych po stronie zawiasów zgodnie z szablonem (+/- 10 mm).<br/>Odstępstwa od podanych wymiarów na odpowiedzialność zamawiającego.</p> <p>* DORMA TS93<br/>** GEZE TS 5000</p> |   |                              |   |   |   |   |   |  |

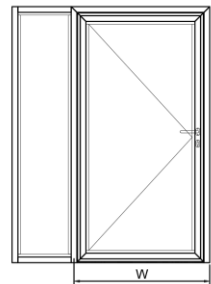
# DOOR CLEARANCE (width)

ALUFIRE CLASSIC  
DOORS

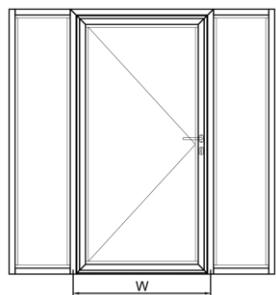
SINGLE-LEAF DOORS



Width door clearance – 900 mm  
 Width door dimensions (W) – 1120 mm  
 Width door clearance – 800 mm  
 Width door dimensions (W) – 1020 mm

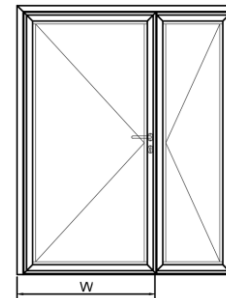


Width door clearance – 900 mm  
 Width door dimensions (W) – 1100 mm  
 Width door clearance – 800 mm  
 Width door dimensions (W) – 1000 mm

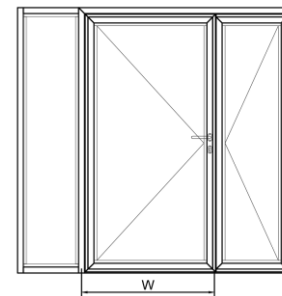


Width door clearance – 900 mm  
 Width door dimensions (W) – 1080 mm  
 Width door clearance – 800 mm  
 Width door dimensions (W) – 980 mm

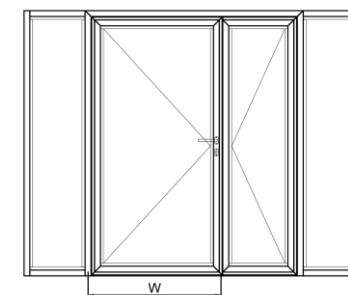
DOUBLE-LEAF DOORS



Width door clearance – 900 mm/...  
 Width door dimensions (W) – 1060 mm/...  
 Width door clearance – 800 mm/...  
 Width door dimensions (W) – 960 mm/...



Width door clearance – 900 mm/ ...  
 Width door dimensions (W) – 1040 mm/ ...  
 Width door clearance – 800 mm/...  
 Width door dimensions (W) – 940 mm/...



Width door clearance – 900 mm/ ...  
 Width door dimensions (W) – 1040 mm/ ...  
 Width door clearance – 800 mm/...  
 Width door dimensions – 940 mm/...

## DOOR HEIGHT COMPARISON

DOOR  
ACCESSORY  
COMBINATIONS

| DOOR HEIGHT   | STANDARD LOCKS MECHANICAL |                                   | PANIC LOCKS MECHANICAL |  | SMOKE PROTECTION | ELECTRIC STRIKE  |                  | PANIC FITTINGS |                |                  |
|---------------|---------------------------|-----------------------------------|------------------------|--|------------------|------------------|------------------|----------------|----------------|------------------|
|               | SINGLE-LEAF DOOR          | DOUBLE-LEAF DOOR                  | SINGLE-LEAF DOOR       | DOUBLE-LEAF DOOR   |                  | SINGLE-LEAF DOOR | DOUBLE-LEAF DOOR | STANDARD LOCKS | PANIC LOCKS    | SINGLE-LEAF DOOR |
| < 2300mm      | 1-point lock              | 1-point lock only for active leaf | 1-point panic lock     | 1-point panic lock in active leaf and panic lock in passive leaf | ✓                | ✓                | NO/NC            | NC             | PN-EN 1125/179 | PN-EN 1125/179   |
| 2300 – 2500mm | 2-point lock              | 2-point lock only for active leaf | 2-point panic lock     | 2-point panic lock in active leaf and panic lock in passive leaf | ✗                | ✗                | NO/NC            | NC             | PN-EN 1125/179 | PN-EN 1125/179   |
|               | 3-point lock              | 3-point lock only for active leaf | 3-point panic lock     | 3-point panic lock only in active leaf                           | ✓                | ✓                | NO               | -              | PN-EN 1125/179 | -                |
| 2500 – 2750mm | 4-point lock              | 4-point lock only for active leaf | 4-point panic lock     | 4-point panic lock only in active leaf                           | ✗                | ✗                | NO               | -              | PN-EN 1125/179 | -                |



# LOCK TYPES

## DOOR EQUIPMENT COMBINATIONS

| Locks  | Handle        |  | Electric strike | Max door height                          |                                      | Using            |                  |                         |
|--|---------------|--|-----------------|--|--------------------------------------|------------------|------------------|-------------------------|
|  |               |  |                 | Fire resistant door Non-smoke protection | Fire resistant door smoke protection | Single-leaf door | Double-leaf door | Smoke protection        |
| 1-point lock - standard mechanical                 | handle-handle | handle -knob/pull handle * knob/pull handle-knob/pull handle * | NO / NC         | 2300                                     | 2300                                 | yes              | yes **           | yes, till a height 2300 |
| 1-point lock - panic mechanical                    | handle-handle | handle -knob/pull handle */****                                | NC              | 2300                                     | 2300                                 | yes              | yes              | yes, till a height 2300 |
| 3-point lock - standard mechanical                 | handle-handle |  | NO              | 2750                                     | 2500                                 | yes              | yes **           | yes, till a height 2500 |
| 3-point lock - panic mechanical                    | handle-handle | handle -knob/pull handle ****                                  | -               | 2750                                     | 2500                                 | yes              | yes/no ***       | yes, till a height 2500 |
| 1-point lock - electric with panic function, NO/NC | handle-handle |  | -               | 2300                                     | 2300                                 | yes              | yes              | yes, till a height 2300 |
| 3-point lock - electric with panic function, NO/NC | handle-handle |  | -               | 2750                                     | 2500                                 | yes              | yes/no ***       | yes, till a height 2500 |

\* must be used electric strike NC

\*\* can be used only in active leaf

\*\*\* can't be used for both leaves, only for active leaf

\*\*\*\* available only for locks with panic f. E

# ELECTRIC STRIKE & FLUSH BOLT MECHANISM

DOOR EQUIPMENT COMBINATIONS

## ELECTRIC STRIKE

| Electric strike     | Lock                |                  | Handle                             |                                     |
|---------------------|---------------------|------------------|------------------------------------|-------------------------------------|
|                     | Standard mechanical | Panic mechanical |                                    |                                     |
| NO (normally open)  | ✓                   | ✗                | handle-handle                      | -                                   |
| NC (normally close) | ✓                   | ✓                | handle/panic bar -knob/pull handle | knob/pull handle-knob/pull handle * |

\* input / output without electricity only possible with a key

NO (normally open) - above the main lock, two-way access control

NC (normally close) - at the height of the main lock, one-way access control

## FLUSH BOLT MECHANISM

| Flush bolt mechanism | Door closers                      |
|----------------------|-----------------------------------|
| Automatic            | Two door closers with coordinator |
| Manual               | Door closer only for active leaf  |